

Sektion 10

APPENDIX /

DIAGRAMS

SECTION 10. APPENDIX / DIAGRAMS

Appendix 1 Target Crossbow.....

Appendix 2 Standard and Freestyle Crossbow.....

Appendix 3 Medieval Crossbow.....

Appendix 3a Crossbow Names.....

Appendix 3b Bolt Track Options.....

Appendix 3c Butt End.....

Appendix 3d Lathe Mounting.....

Appendix 4 Medieval crossbow Trigger.....

Appendix 5 Bolt Retainer and String Loop.....

Appendix 6 Bolts.....

Appendix 7 Recommended Outdoor Target Ground Layout.....

Appendix 8 Target Butt.....

Appendix 9 Wind Indicator.....

Appendix 10 30 Second Timer Board.....

Appendix 11 Target Face.....

Appendix 12a Recommended Outdoor Match-Play Ground Layout.....

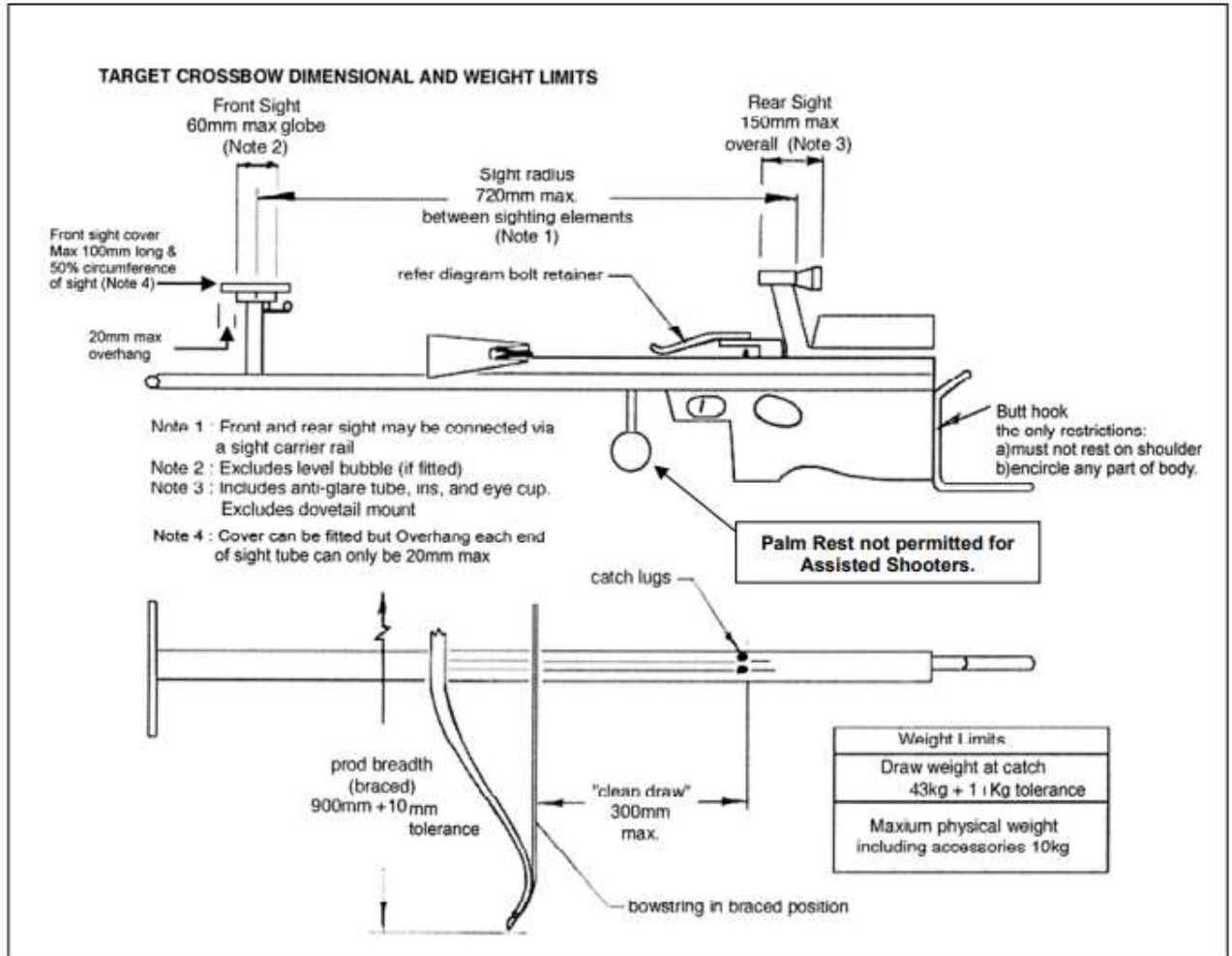
Appendix 12b Recommended team Outdoor Match-Play Ground Layout.....

Appendix 13 Match-play Chart.....

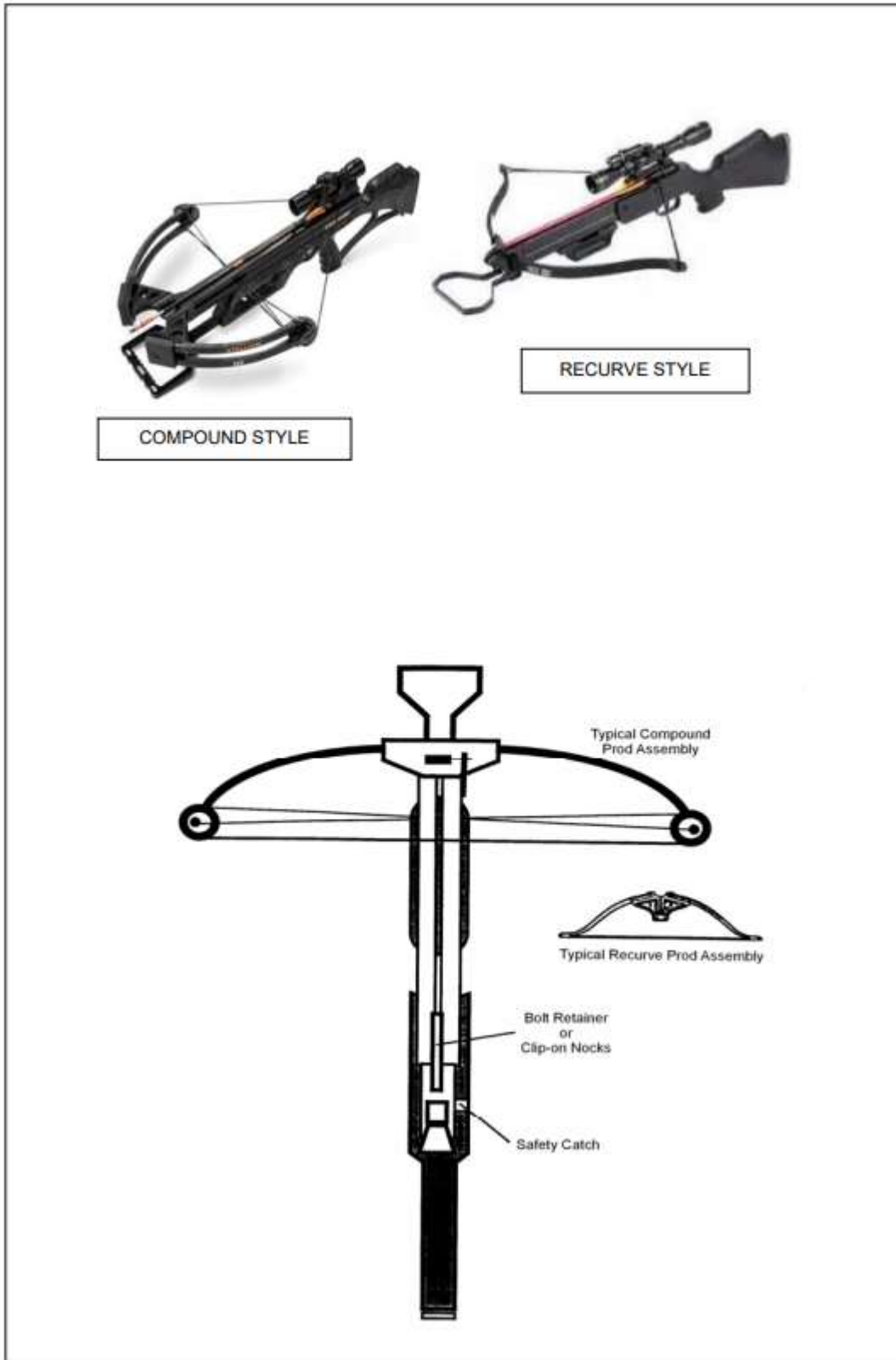
Appendix 14 Assisted Shooters Crossbow Support Picture.....

ADDENDUM 1. Recommended World Crossbow Championship formats.....

APPENDIX 1 – TARGET CROSSBOW



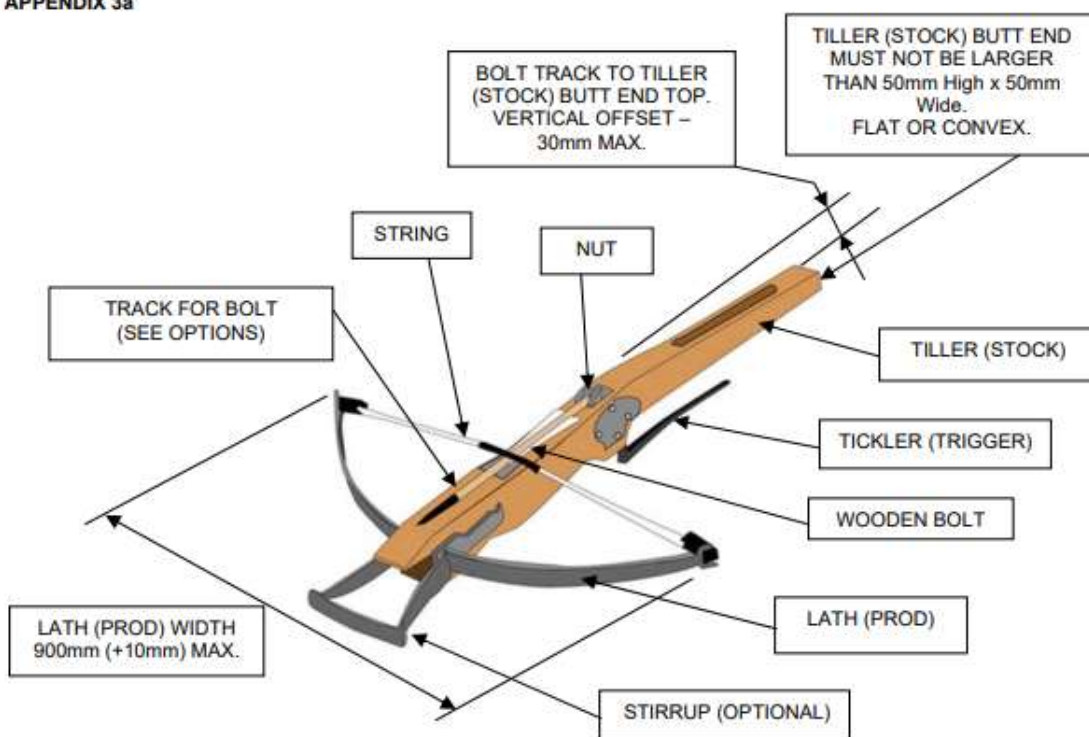
APPENDIX 2 – TYPICAL COMMERCIALY PRODUCED SPORTING CROSSBOW



APPENDIX 3 – EXAMPLE ONLY - MEDIEVAL STYLE CROSSBOWS

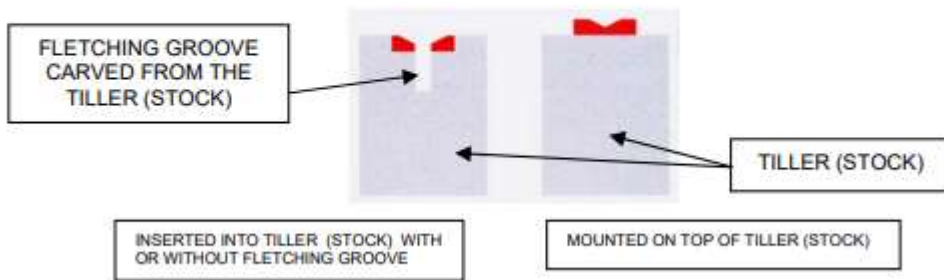


APPENDIX 3a



APPENDIX 3b

REPLACEMENT BOLT TRACK OPTIONS



APPENDIX 3c



Rifle style Tiller (stock) end is not permitted

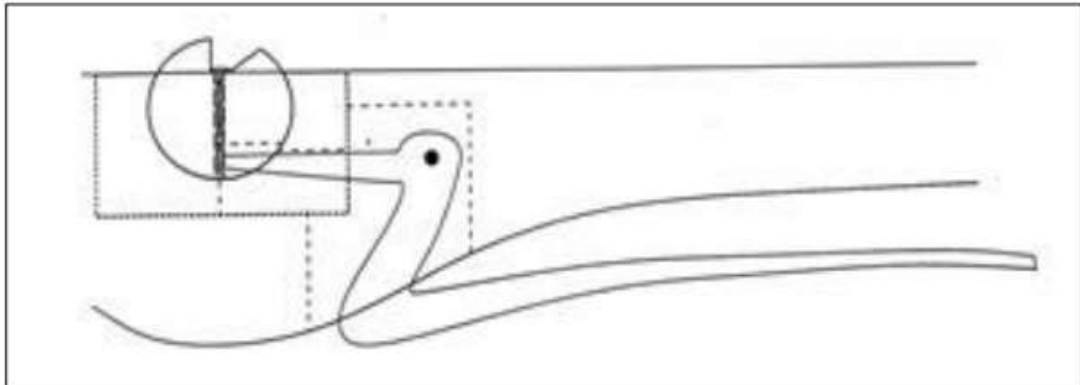
APPENDIX 3d

STRING DIAMETER MEASURED AT THE CENTRE OF THE STRING ON BRACED LATH (PROD)

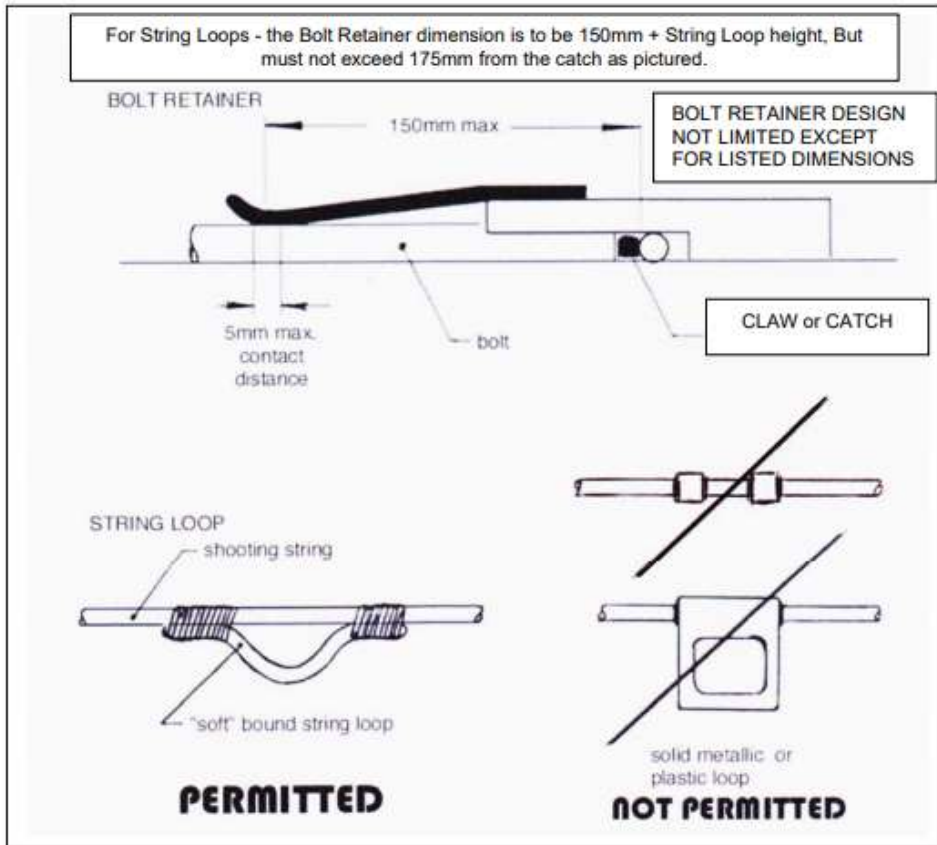


Lath (prod) assembly below Bolt track.

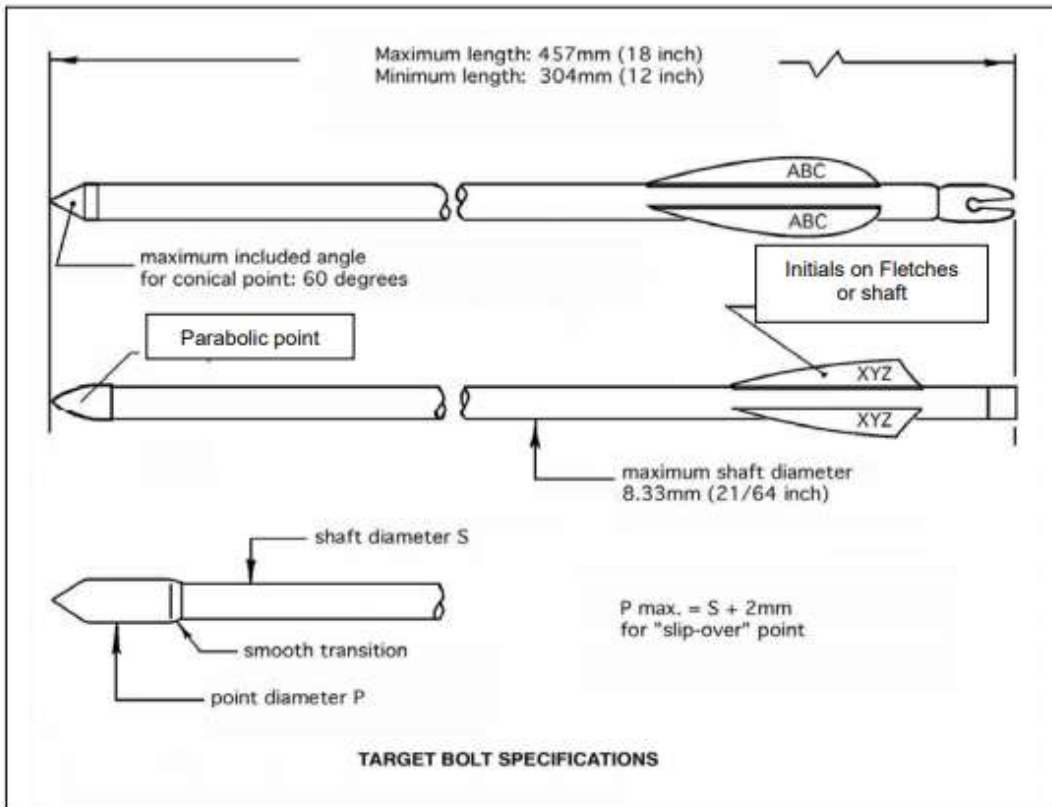
APPENDIX 4 – DIAGRAM OF MEDIEVAL CROSSBOW TICKLER (TRIGGER) MECHANISM



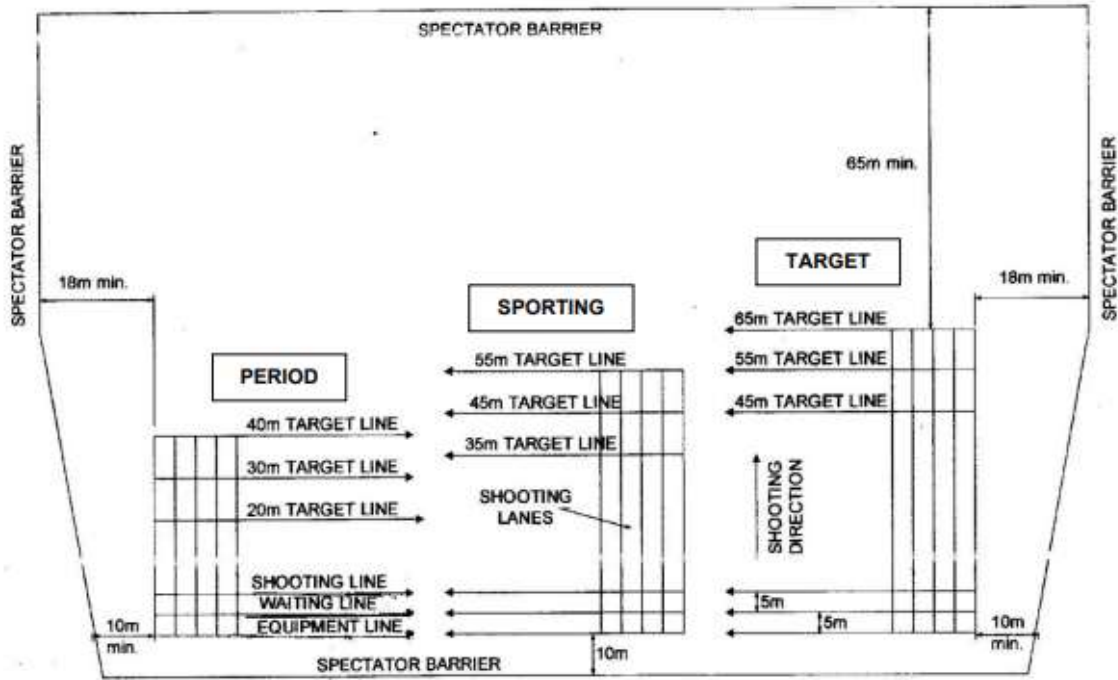
APPENDIX 5 - BOLT RETAINER AND STRING LOOP



APPENDIX 6 - TARGET CROSSBOW BOLTS

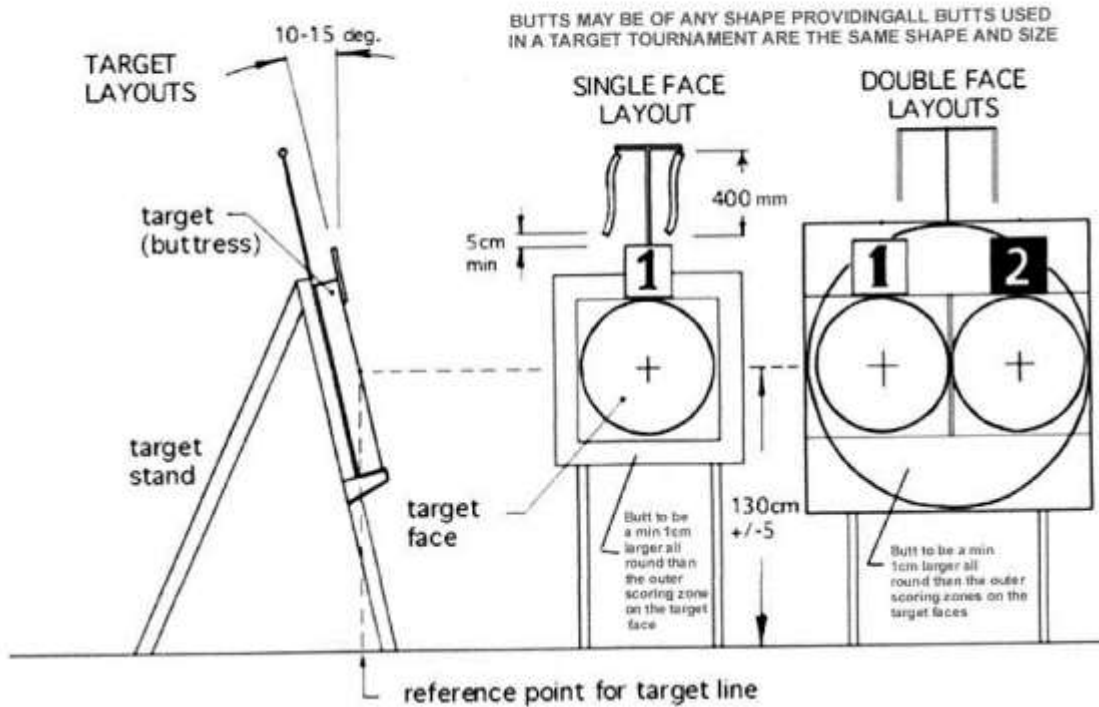


APPENDIX 7 - RECOMMENDED GROUND LAYOUT FOR WORLD OUTDOOR TARGET CHAMPIONSHIPS

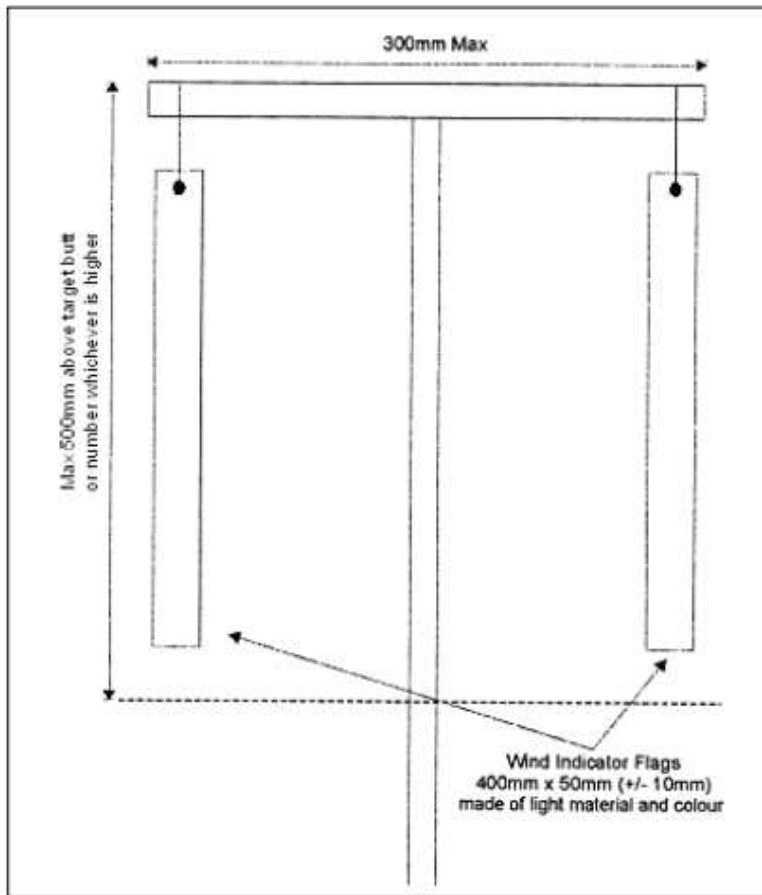


APPENDIX 8 - TARGET BUTT

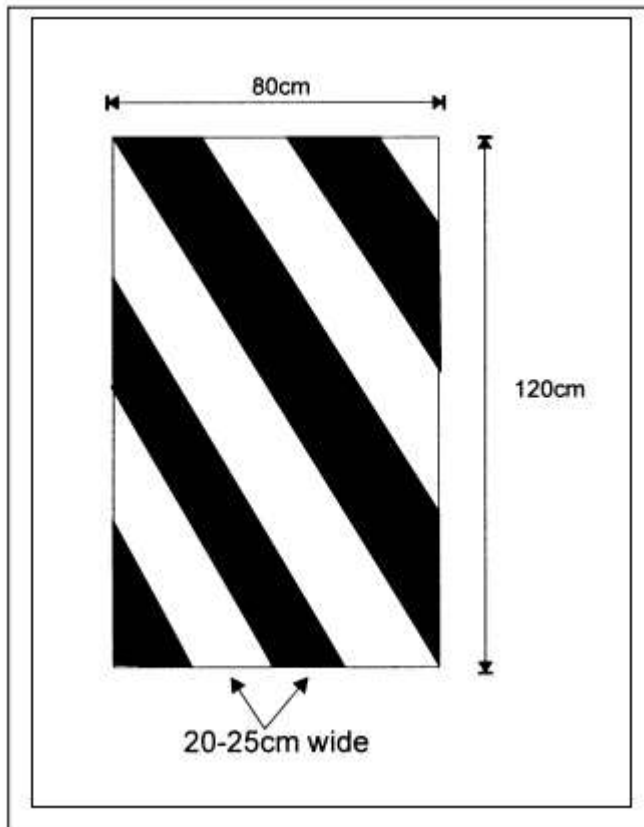
All Target Buttruses are to be attached to the Target Stand and the stand must be anchored to the ground.



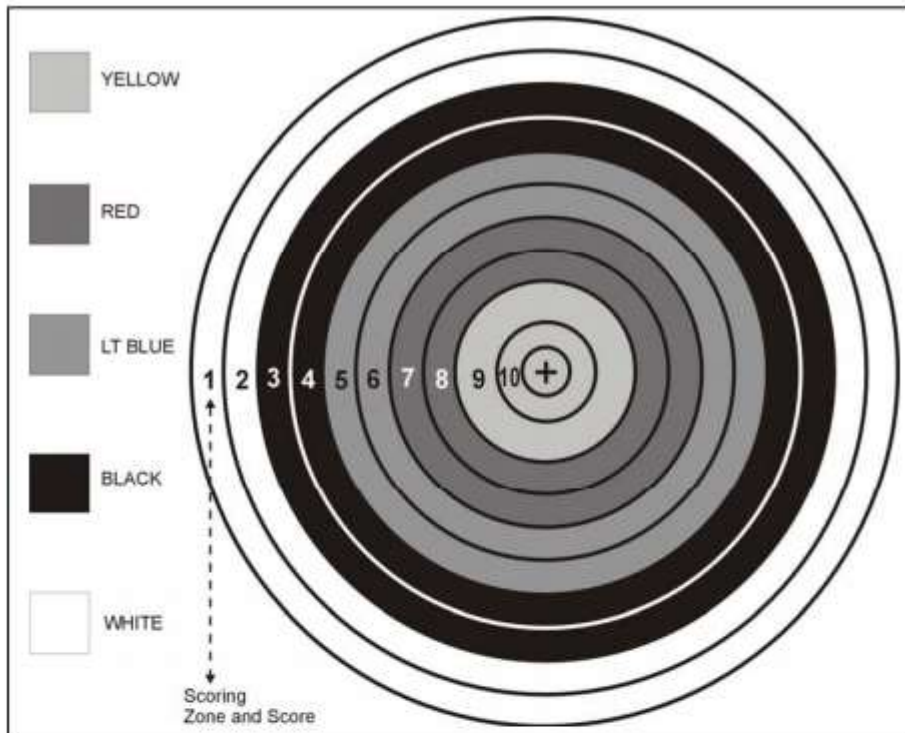
APPENDIX 9 – TARGET WIND INDICATORS (preferred Colour to be Yellow)



APPENDIX 10 – TARGET 30 SECOND TIMER PLATES



APPENDIX 11 - TARGET FACES
Multi-coloured



Typical Target and Indoor Target faces

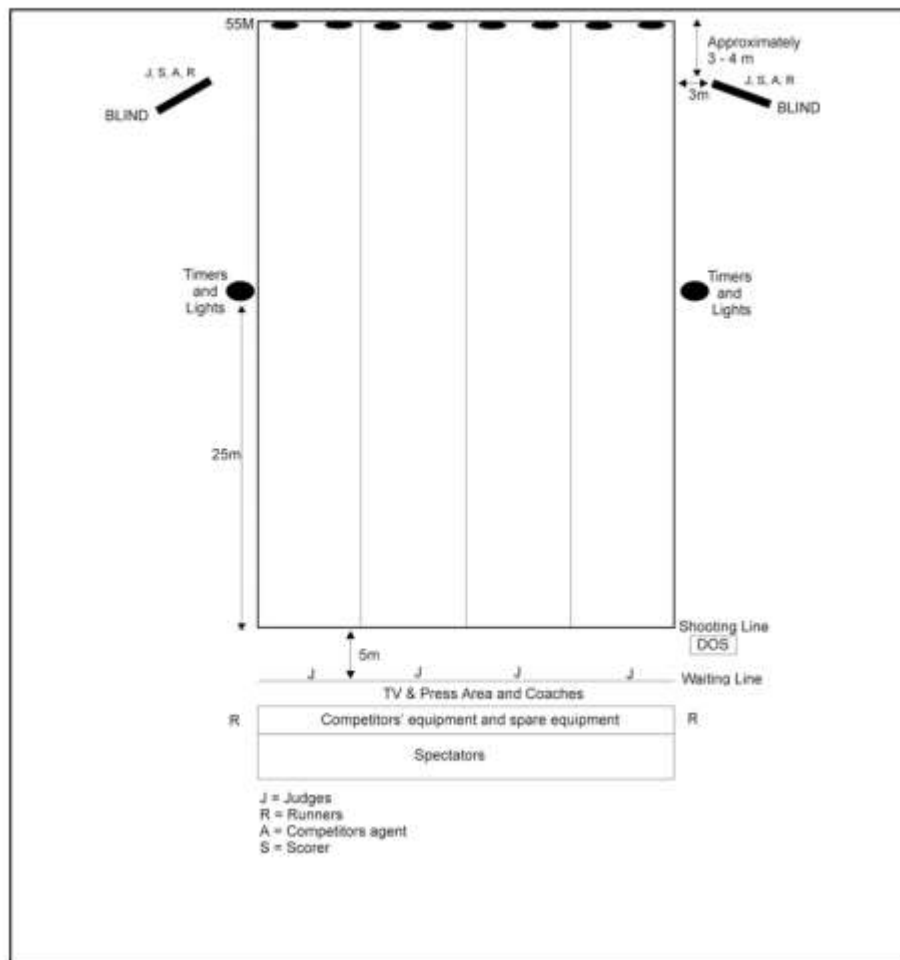


Typical Bushland and Forest Target faces

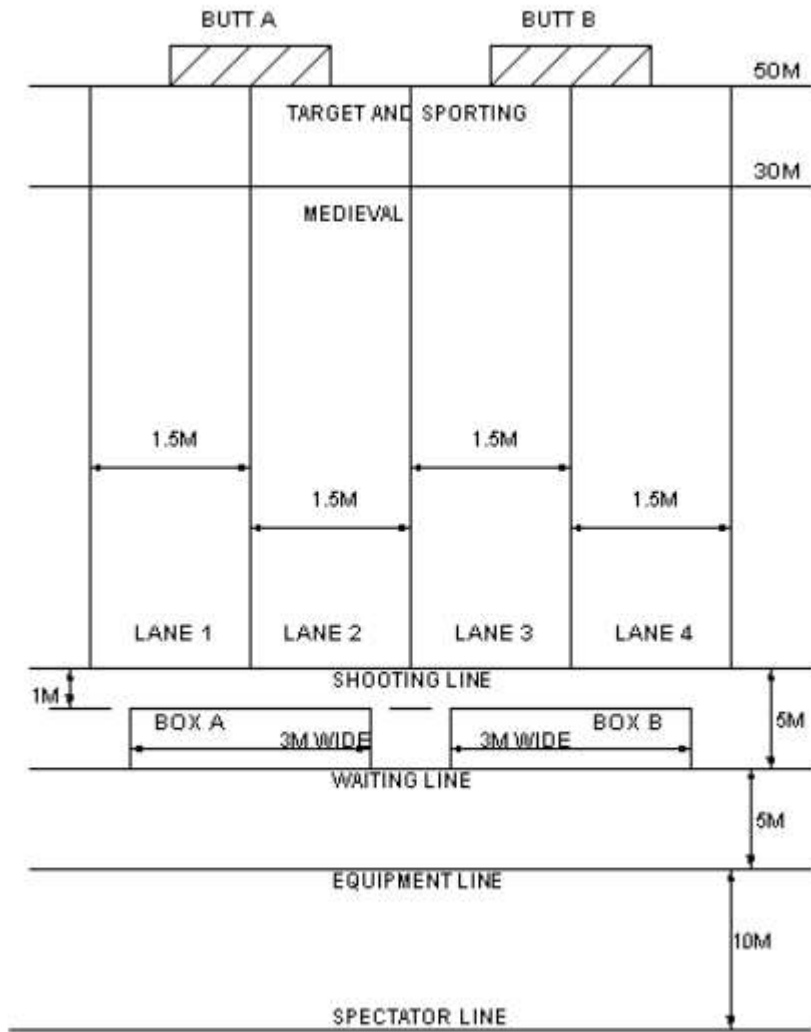


Typical 3D target.

APPENDIX 12a - RECOMMENDED WORLD CHAMPIONSHIP OUTDOOR MATCH-PLAY GROUND LAYOUT

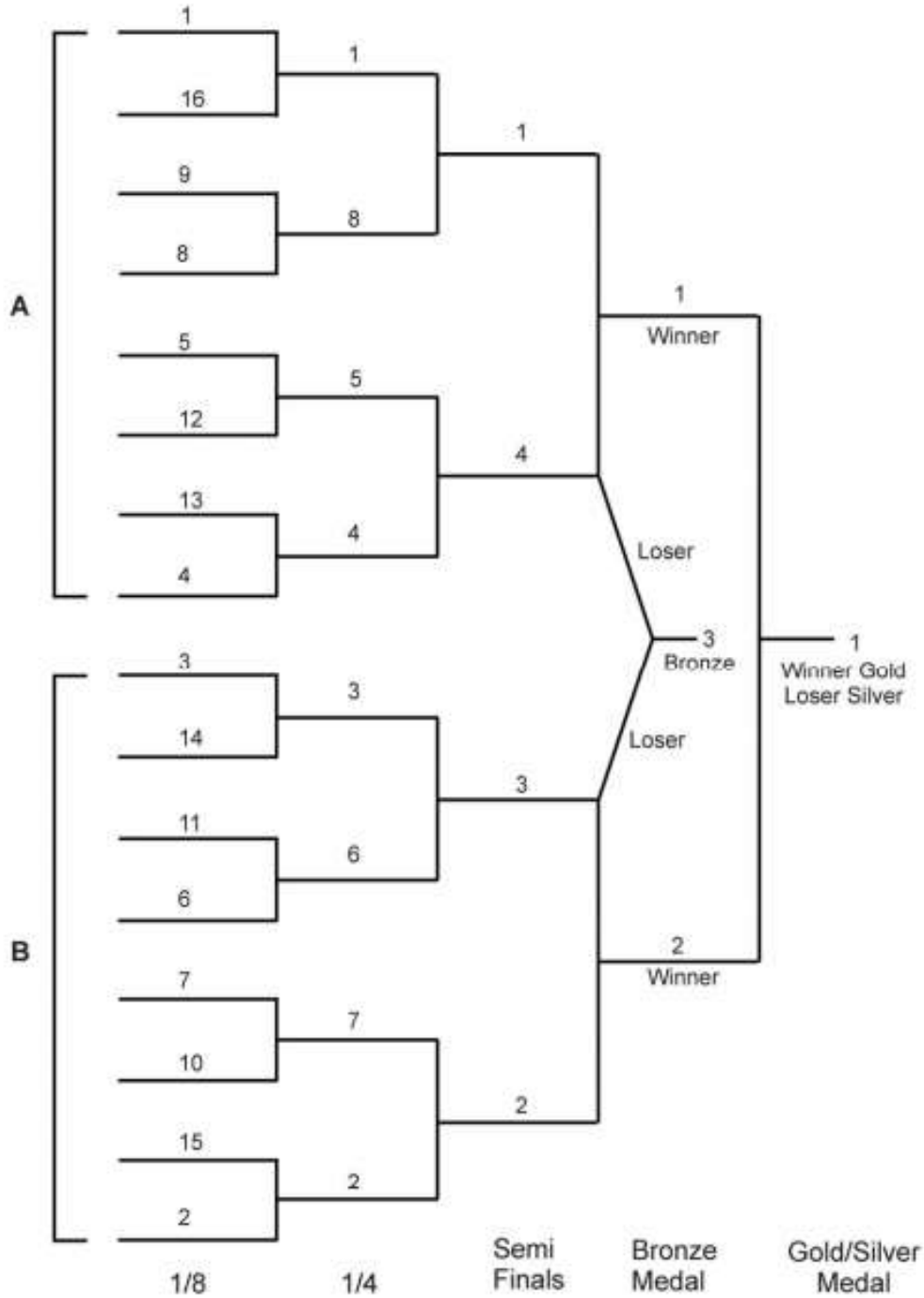


APPENDIX 12b - RECOMMENDED TEAM WORLD CHAMPIONSHIP OUTDOOR MATCH-PLAY GROUND LAYOUT



APPENDIX 13 - MATCH-PLAY SEEDING CHART

MATCHPLAY CHART (16 Competitors)



Order of shooting with 4 targets (2 competitors per target) = Group B first then Group A

Winner of each match moves along line to next match - Loser drops out.

Winners of Semi Finals shoots for Gold/Silver Medals - Losers shoot for Bronze Medal

APPENDIX 14 – ASSISTED BOW SUPPORT STAND WCSA APPROVED and LICENSED (PICTURE)



ADDENDUM 1

THE WORLD CROSSBOW CHAMPIONSHIP FORMATS

THE WORLD CROSSBOW CHAMPIONSHIPS	
DAY	EVENT DETAILS
WORLD TARGET CHAMPIONSHIP	
1	UNOFFICIAL PRACTICE & JUDGES SEMINAR / COACHING SEMINAR
2	OFFICIAL PRACTICE & OPENING CEREMONY
3	TARGET CHAMPIONSHIP - DAY 1 & AGM MEETING
4	TARGET CHAMPIONSHIP - DAY 2 & MEDAL PRESENTATION (WCSA Target medals presented on aggregate of the 2 days of shooting)
5	INDIVIDUAL and TEAM MATCH-PLAY & MEDAL PRESENTATION
6	FOREST CHAMPIONSHIP - DAY 1 - FOREST ROUND
7	FOREST CHAMPIONSHIP - DAY 2 - BUSHLAND ROUND AND MEDAL PRESENTATION (WCSA Forest medals presented on aggregate of the 2 days of shooting)
EVENT DINNER.	
WORLD 3D CHAMPIONSHIP	
1	OFFICIAL PRACTICE & OPENING CEREMONY
2	3D CHAMPIONSHIP - DAY 1
3	3D CHAMPIONSHIP - DAY 2 & MEDAL PRESENTATION AND EVENT DINNER (WCSA 3D medals presented on aggregate of the 2 days of shooting)

DAY	EVENT DETAILS
INDOOR TARGET CHAMPIONSHIP - (TARGET, STANDARD, FREESTYLE, ASSISTED & MEDIEVAL)	
1	(may be conducted over two consecutive days)
BENCH, KNEELING and PRONE CHAMPIONSHIP - (TARGET, STANDARD, FREESTYLE, ASSISTED & MEDIEVAL)	
1	(may be conducted over two consecutive days)